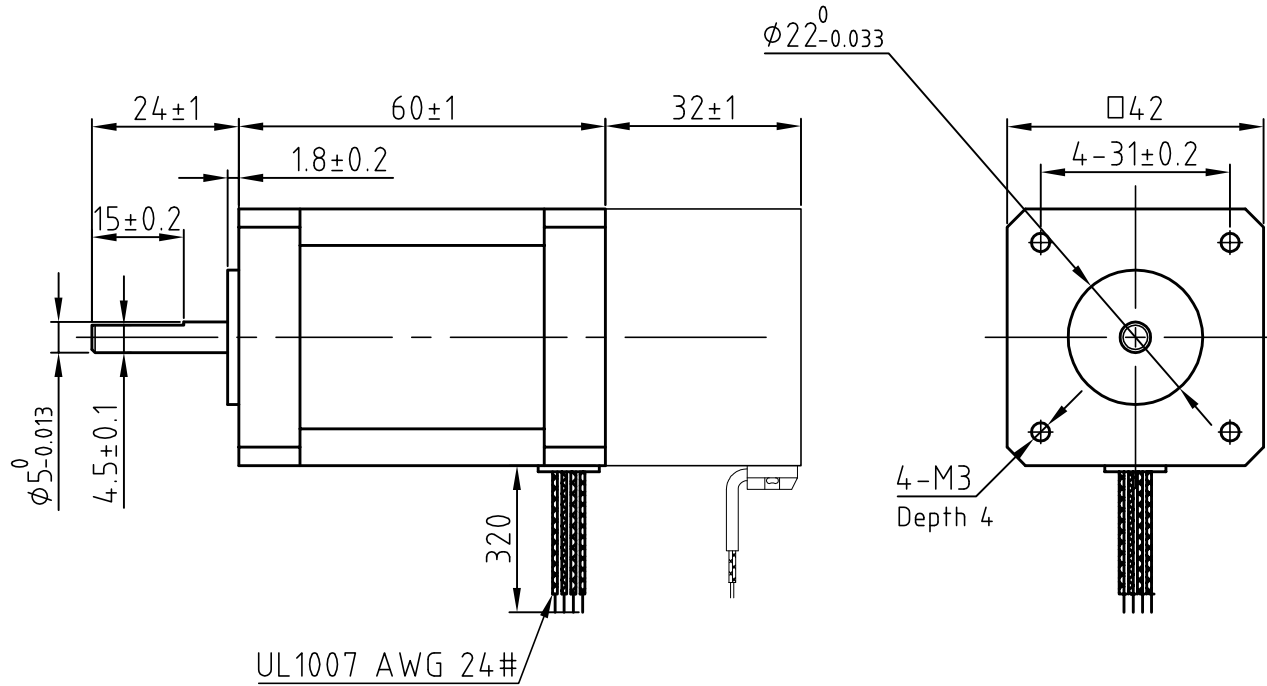
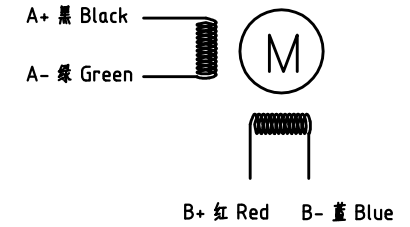


| 版本 Rev. | 日期 Date  | 变更文件号 ECN NO. | 变更内容 Revisions | 设计 By |
|---------|----------|---------------|----------------|-------|
| V1.0    | 21.06.26 |               | 初版             | 王洪松   |

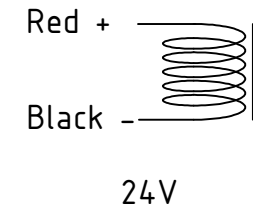
Dimension: (Unit: mm)



Motor Connections:



Brake Connections



Common Rating

|                       |                       |
|-----------------------|-----------------------|
| Step angle            | 1.8°                  |
| Position accuracy     | 1.8±0.09°             |
| Dielectric strength   | 500VAC 1min           |
| Insulation resistance | 100MΩm(500VDC)        |
| Insulation class      | B                     |
| Temp rise(Max)        | 80K                   |
| Radial play           | Max.0.02mm(Load 450g) |
| Axial play            | Max.0.08mm(Load 900g) |

Specification:

|                          |                          |
|--------------------------|--------------------------|
| Current/phase            | 2.0 A                    |
| Voltage                  | 2.3 V                    |
| DC Resistance/phase ±10% | 1.77Ω                    |
| Inductance/phase ±20%    | 4.0 mH                   |
| Holding torque           | 0.8 N·M                  |
| Inertia                  | 0.072 kg·cm <sup>2</sup> |
| Weight                   | 0.5 kg                   |

|                |              |            |            |                                 |              |  |              |
|----------------|--------------|------------|------------|---------------------------------|--------------|--|--------------|
| 设计<br>Designed | 王洪松          | 日期<br>Date | 2021.06.26 | 材料<br>Material                  |              | 深圳市雷赛智能控制股份有限公司<br>SHENZHEN LEADSHINE TECHNOLOGY CO., LTD. |              |
| 审核<br>Checked  | 黄捷建          |            | 2021.06.26 | 第一角画法<br>First Angle projection |              | 名称<br>Title  | 混合式步进电机      |
| 批准<br>Approved | 黄捷建          |            | 2021.06.26 | 版本/版次<br>A/01                   | 比例 Scale     | 阶段标记 Stage Mark  | 42CM08-BZ    |
| 料号<br>Part No. | LS-MT-01-07A |            |            | 共 1 页 第 1 页                     | Sheet 1 of 1 | 图号<br>DWG. NO.   | LS-42CM08-BZ |