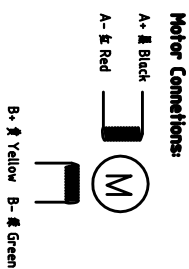
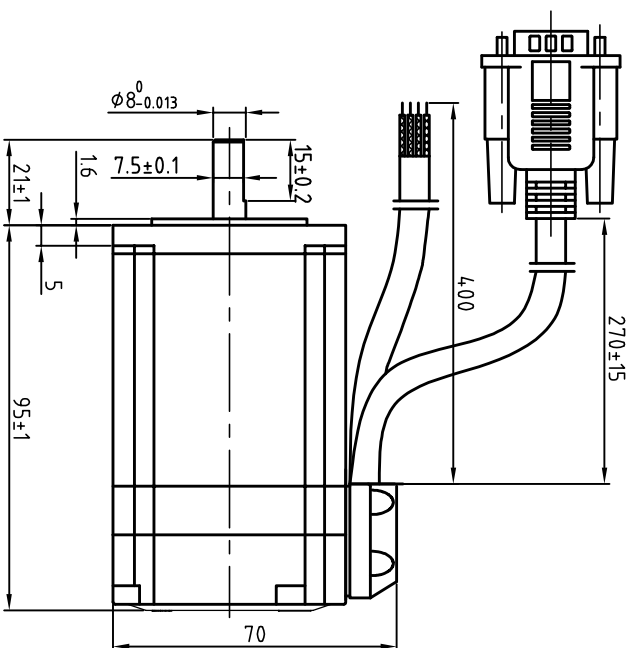
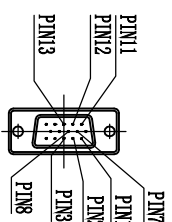


Dimension: (Unit: mm)



**Encoder Signals**



| 15芯DB公端 | 1  | 2   | 3   | 7  | 8  | 11 | 12 | 13 |
|---------|----|-----|-----|----|----|----|----|----|
| 线束颜色    | 黑  | 红   | 白   | 橙  | 灰  | 黄  | 紫  | 蓝  |
| 定义      | B+ | VCC | GND | Z+ | Z- | B+ | B- | A- |

**Common Rating**

|                       |                        |
|-----------------------|------------------------|
| Step angle            | 1.8°                   |
| Position accuracy     | 1.8±0.09°              |
| Dielectric strength   | 500VAC 1min            |
| Insulation resistance | 100MΩhm(500VDC)        |
| Insulation class      | B                      |
| Temp rise(Max)        | 80K                    |
| Radial play           | Max:0.02mm(load 4.50g) |
| Axial play            | Max:0.08mm(load 900g)  |

**Specification:**

|                          |                         |
|--------------------------|-------------------------|
| Current/phase            | 5.0 A                   |
| Voltage                  | 19 V                    |
| DC Resistance/phase ±10% | 0.38 Ω                  |
| Inductance/phase ±20%    | 1.75mH                  |
| Holding torque           | 2.3 N·M                 |
| Inertia                  | 0.48 kg·cm <sup>2</sup> |
| Weight                   |                         |
| Encoder resolution       | 1000 cpr                |

|  |     |            |            |                                 |                    |
|--|-----|------------|------------|---------------------------------|--------------------|
| 设计<br>Designed   | 王洪林 | 日期<br>Date | 2019.01.10 | 材料<br>Material                  |                    |
| 审核<br>Checked  | 黄捷建 | 2019.01.10 |            | 第一角画法<br>First Angle projection |                    |
| 批准<br>Approved   | 黄捷建 | 2019.01.10 |            | 重量/比例<br>Weight/Scale           |                    |
| 图号<br>Part No.   |     |            |            | 图号<br>DWG. NO.                  | LS-CM57-03-0011-05 |
| 深圳市雷赛智能控制股份有限公司<br>SHENZHEN LEADSHINE TECHNOLOGY CO., LTD. |     |            |            | 混合伺服电机                          |                    |
| 共 1 套 第 1 套 Sheet 1 of 1                                   |     |            |            | 57CME23-Z                       |                    |