

57HS22-A

COMMON RATINGS

Step angle: 1.8°

Positional accuracy: +/-5%

Number of Phase: 4

Temperature rise: 80°C Max

Inertia: 480 g.cm²

Dielectric strength: 500VDC

Insulation resistance: 100MΩ(500VDC)

Radial play: 0.025mm max.(load 450g)

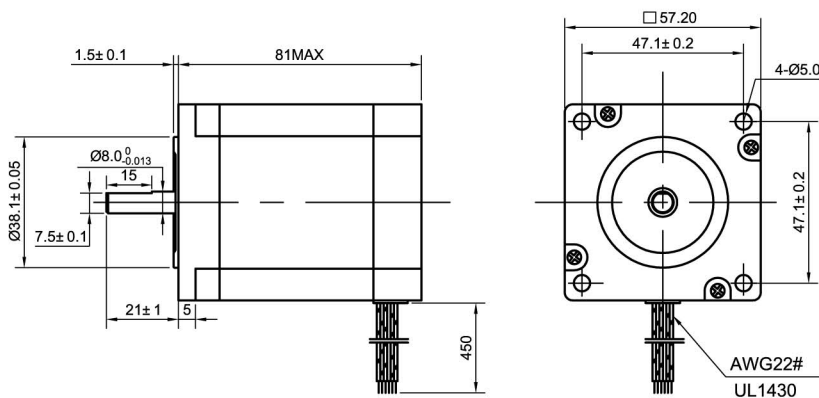
Insulating class: B

Weight: 1.15 kg

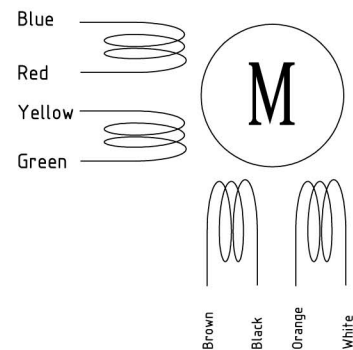
SPECIFICATIONS

	Holding Torque (2 phases on) N.m ±10%	Rated Current/Phase (Amps DC)	Phase Resistance (ohms) ±10%	Phase Inductance (mH) ±20% Typical
Bipolar(Parallel)	2.0	5.0	0.4	1.8
Bipolar(Series)	2.0	2.5	1.6	7.2
Unipoar	1.4	3.5	0.8	1.8

DIMENSIONS unit=mm



CONNECTIONS



Wirings Connection Diagram

