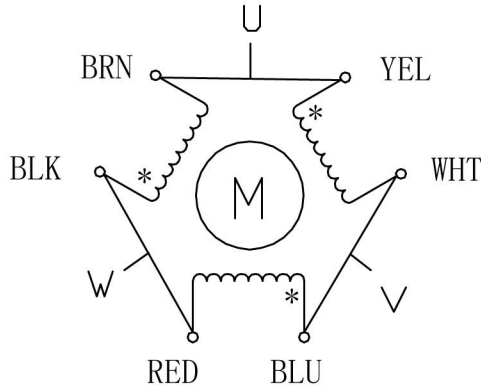


# 573S09 3-PHASE HYBRID STEPPING MOTOR

specifications:

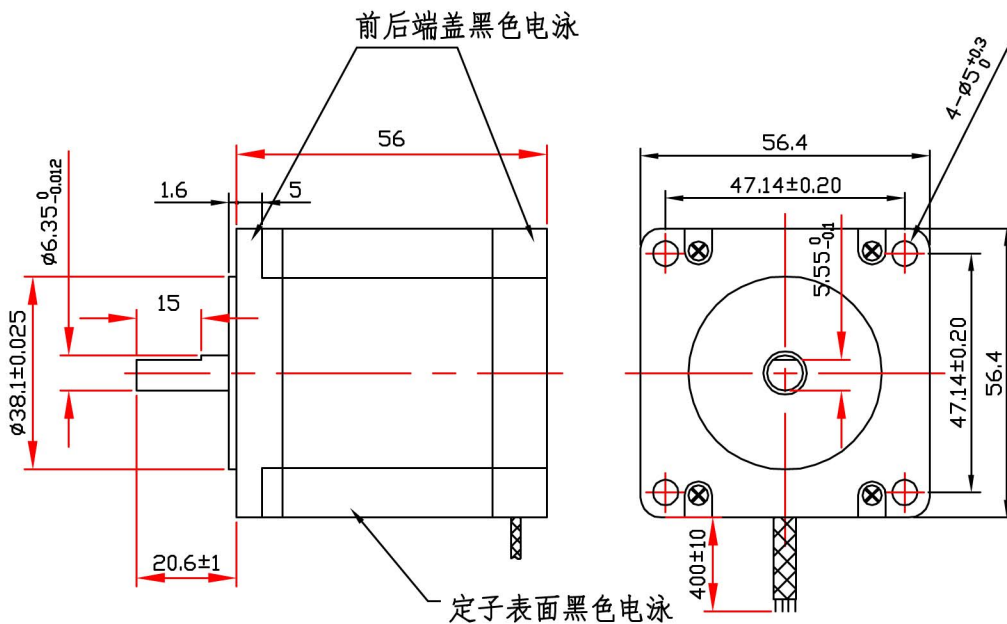
MODEL	PHASE	STEP ANGLE	RATED VOLTAGE	LINE CURRENT	RESISTANCE /PHASE	INDUCTANCE /PHASE	HOLDING TORQUE	DETENT TORQUE	ROTOR INERTIA	WEIGHT
		DEG/STEP	V	A	ohms	mH	N.m	N.cm	g.cm <sup>2</sup>	Kg
	3	1.2	2.7	3.5	0.77	1.8	0.9	4Max	300	0.75

Wiring Diagram:



UL1332 AWG22# LENGTH: 400mm

Dimension:



B	080506g	新开模定子冲片							
A	080131L1	表面处理由黑塑到电泳	LN	JOHN	2008.01.31	DRAWN	DATE	TITLE	
REV	ECN NO.	DESCRIPTION	DRN	APP'D	DATE			SPECIFICATIONS	
UNLESS OTHERWISE SPECIFIED TOLERANCES:			MATERIAL			CHECK		USED ON	
DECIMALS: .x ±0.5			ANGULAR: ±0°30'			APPD		573S09	
.xx ±0.25			THIRD ANGLE PROJECTION			SCALE		DWG NO.	REV
.xxx ±0.1			DO NOT SCALE DRAWING			SHEET	OF	B	
						深圳市雷赛智能控制股份有限公司			